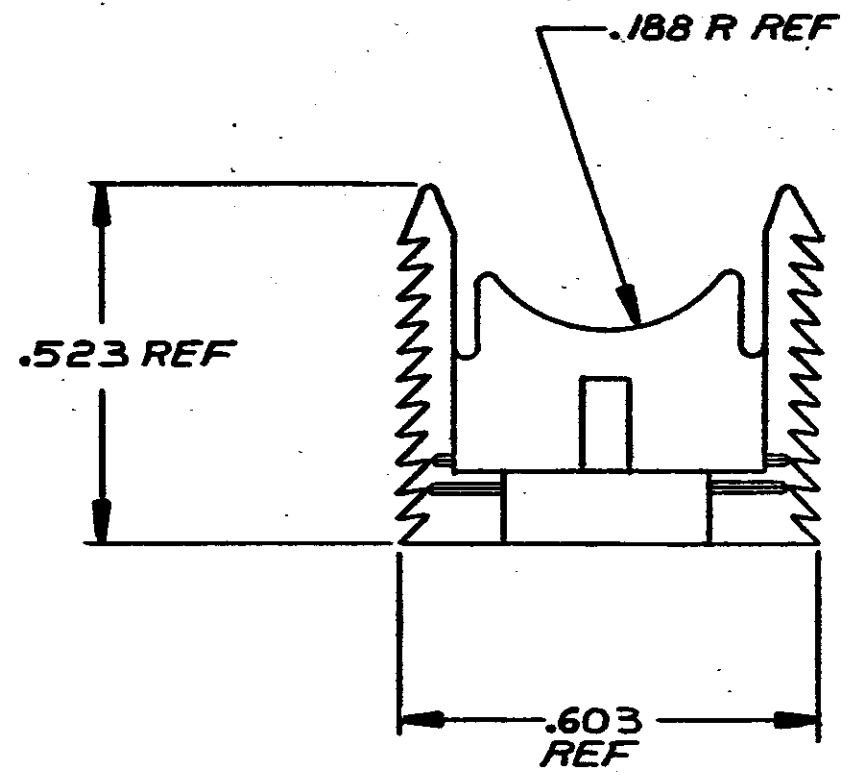
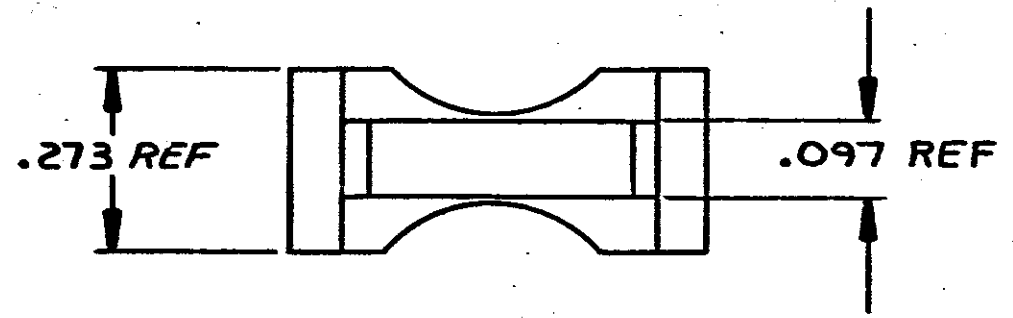



© COPYRIGHT 1977 BY AMP INCORPORATED, HARRISBURG, PA.  
 ALL INTERNATIONAL RIGHTS RESERVED. AMP INCORPORATED PRODUCTS  
 COVERED BY U. S. AND FOREIGN PATENTS AND/OR PATENTS PENDING.

UNPUBLISHED COPY NOT TO BE  
 REPRODUCED NOR PUBLISHED  
 WITHOUT WRITTEN PERMISSION  
 OF AMP INCORPORATED.

REVISIONS						
P	F	ZONE	LTR	DESCRIPTION	DATE	APPROVED
0	✓		0	RLSE PER NPR C77-80	12-19-77	RR



GRAY	552763-2
BLK	552763-1
COLOR	PART NO

UNLESS OTHERWISE SPECIFIED DIMENSIONS ARE IN INCHES. TOLERANCES ON: DECIMALS ± .005 ANGLES ± .1	CONTRACT NO	 AMP INCORPORATED Harrisburg, Pa.
	DR. <i>12-19-77</i> <i>Randy Matthews</i>	
MATERIAL	CHK. <i>RR</i> 12/21/77	NAME
<b>THERMOPLASTIC</b>	APPD. <i>J. Neff</i> 12/21/77	<b>CLAMP, CABLE, ADJUSTABLE</b>
FINISH	APPD. <i>RR</i> 12/21/77	SIZE
	DSGN APPD	<b>B</b>
OTHER APPD	CODE IDENT NO	NUMBER
		<b>00779</b>
	SCALE <i>NTS</i>	<b>552763</b>
		SHEET 1 OF 1